

IS 2180-2

inox
EAN 4007841 603915
Article number 603915



infrared sensor
180°

1000 W

1000 W max.



max. Ø 12 m



IP54



2 - 2000 lux



5 sec - 15 min



Ideal 2 m



energy saving

5 years

manufacturer's
warranty steinel-
professional.de/
garantie



CE

Function description

Attractive, clever, efficient. Infrared motion detector IS 2180-2 for outdoors, ideal for building fronts and properties, medium-sized business and outdoor spaces, ideal installation height 2 m, 180° angle of coverage, reach. 12 m max. or 5 m max. (tangential), selectable time and twilight threshold, manual override, for outdoor and indoor installation .

Technical specifications

Dimensions (L x W x H)	55 x 78 x 120 mm
Manufacturer's Warranty	5 years
Settings via	Potentiometers
With remote control	No
Version	inox
PU1, EAN	4007841603915
Type	Motion detectors
Application, place	Outdoors, Indoors
Application, room	outdoors, front door, all round the building, terrace / balcony, courtyard & driveway
Colour	Silver
Colour, RAL	9006
Includes corner wall mount	No
Installation site	wall, corner
Installation	Surface wiring, Wall, corner
IP-rating	IP54

LED lamps > 8 W	350 W
Capacitive load in µF	132 µF
Technology, sensors	passive infrared, Light sensor
Mounting height	1,80 – 4,00 m
Mounting height max.	4,00 m
Optimum mounting height	2 m
Detection angle	180 °
Angle of aperture	90 °
Sneak-by guard	Yes
Capability of masking out individual segments	Yes
Electronic scalability	No
Mechanical scalability	No
Reach, radial	r = 1.5 m (4 m ²) / r = 3 m (14 m ²)
Reach, tangential	r = 5 m (39 m ²) / r = 12 m (226 m ²)
Switching zones	504 switching zones
Twilight setting	2 – 2000 lx

IS 2180-2

inox
EAN 4007841 603915
Article number 603915



Technical specifications

Ambient temperature	from -20 up to 50 °C
Material	Plastic
Mains power supply	230 – 240 V / 50 Hz
Switching output 1, resistive	1000 W
Fluorescent lamps, electronic ballast	350 W
Fluorescent lamps, uncorrected	500 VA
Fluorescent lamps, series-corrected	900 VA
Fluorescent lamps, parallel-corrected	500 VA
Switching output 1, low-voltage halogen lamps	1000 VA
LED lamps < 2 W	100 W
LED lamps > 2 W < 8 W	175 W

Time setting	5 s – 15 Min.
Basic light level function	No
Main light adjustable	No
Twilight setting TEACH	No
Constant-lighting control	No
Interconnection	Yes
Type of interconnection	Master/master
Interconnection via	Cable
Product category	Motion detector

Accessories

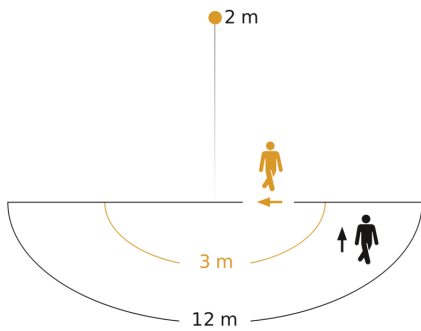
EAN 4007841 085148

Corner wall mount for IS 180-2, IS 2180-2 and IS 2180 ECO

IS 2180-2

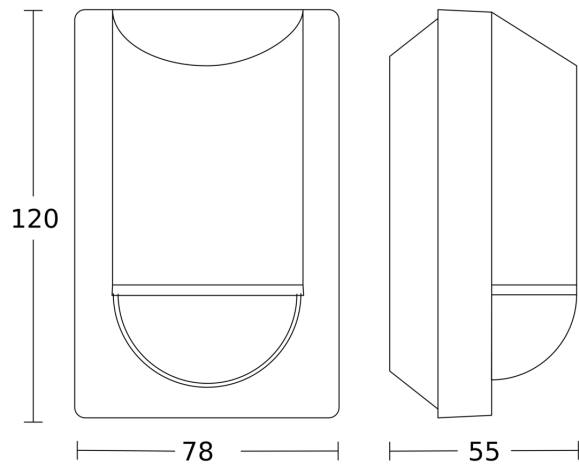
inox
 EAN 4007841 603915
 Article number 603915

Detection Zone

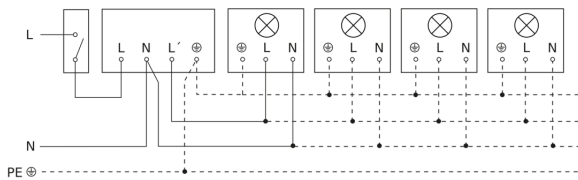


Possible mounting height: 1,80 m - 4,00 m
 Orange: radial
 Black: tangential

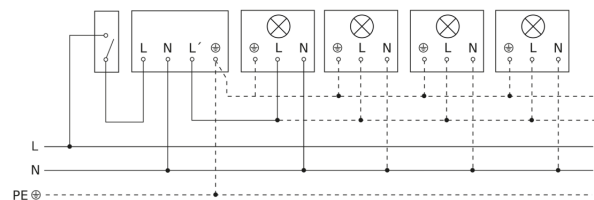
Dimension Drawing



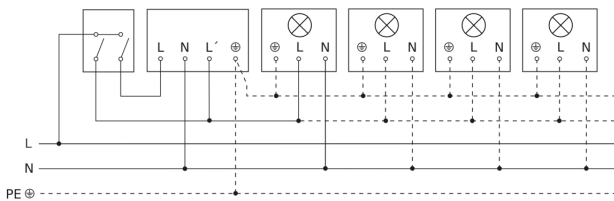
Light without neutral conductor



Light with neutral conductor



Connection using two-circuit switch for manual and automatic operation



Connection of 4-fold push-button coupler to DALI2 APC

